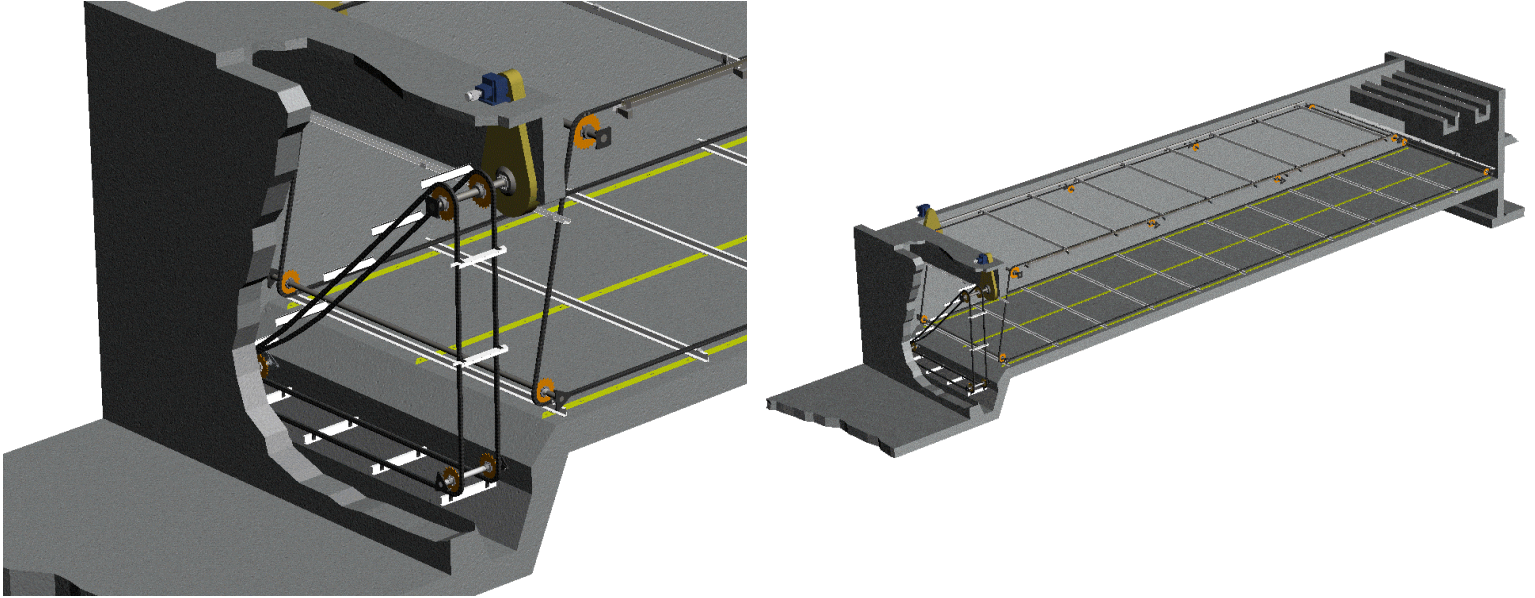


WESTPRO primary clarifier

Westpro's primary clarifier is specifically designed for sludge collection in wastewater treatment.



components

1. **Drive Unit**
 - In-line helical reducer
 - Explosion proof electric motor
2. **Polymeric/Cast Iron Drive Sprocket**
3. **Polymeric Driven Sprocket**
4. **Non-Metallic Collector Chain**
5. **Fiberglass Flights**
6. **UHMW Wearing shoes**
7. **Cold-Finished Headshaft**
8. **Cold-Finished Stub Shafts**
9. **Water lubricated Headshaft Bearings**
10. **Stainless Steel Return Tracks**
11. **Fiberglass Deflector Angles C/W UHMW Wear Strips**
12. **UHMW Floor Wear Strips**
13. **Self-Centering Drive Chain Tightener**

advantages

- Heavy-duty construction
- Compact Design
- Easily assembled and disassembled
- Low maintenance
- Complete variable speed

WESTPRO – A Proud Canadian Manufacturer

www.westpromachinery.com

Westpro Machinery Inc.
P.O. Box 726
Vernon, BC
Canada V1T 6N6
Tel: (250) 549-6710
Fax: (250) 549-6735
Toll Free: 1-877-WESTPRO (937-8776)
Email: sales@westpromachinery.com

advanced
technology