

# WESTPRO

## portable crushing unit



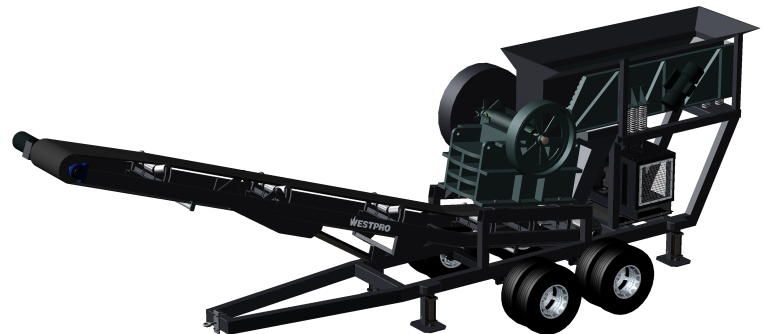
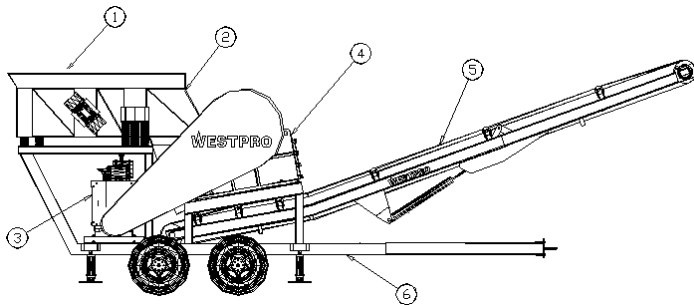
### applications

Westpro's portable crusher unit is designed for a vast range of applications.

- Aggregate operations
- Medium size mines
- Road construction
- Railway engineering
- Waste management
- Demolition site

### advantages

- Heavy-duty construction
- Easily transported behind 1 ton truck (PCU 1020 or tandem dump (PCU1524))
- Quick setup
- Easily converted to handle different products
- High stacking discharge conveyor
- Completely adjustable for different capacities



### components

#### 1. Vibrating Feeder

- Impact resistant
- Replaceable grizzly bars
- Heavy duty construction

#### 2. Fines Chute

- By-pass chute to conveyor
- Impact resistant

#### 3. Diesel Drive Unit

- Cummins or John Deere
- 80 HP – 125 HP

#### 4. Crushing Unit

- High capacity crushing

- Robust construction
- Easy maintenance

#### 5. Discharge Conveyor

- Adjustable speed
- High discharge
- Hydraulic fold for transport
- Heavy duty belt

#### 6. Chassis

- Tandem axle dual tire
- Pintle hitch

MODEL	FEED SIZE	TON PER HR	PRODUCT SIZE SETTINGS
PCU 1020	8"	20-100	1" to 2 1/2"
PCU 1524	12"	75-200	1 1/2" to 5"

#### Westpro Machinery Inc.

P.O. Box 726

Vernon, BC

Canada V1T 6N6

Tel: (250) 549-6710

Fax: (250) 549-6735

Toll Free: 1-877-WESTPRO (937-8776)

Email: [sales@westpromachinery.com](mailto:sales@westpromachinery.com)